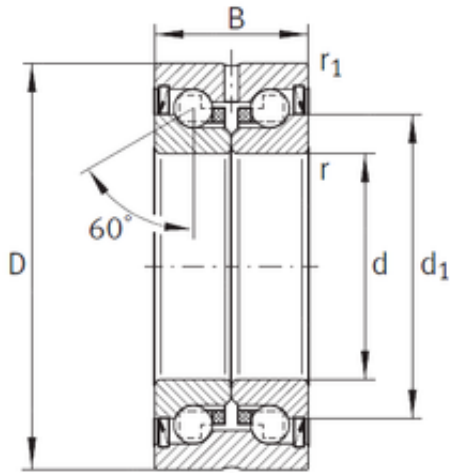




# Nice Ball Bearings CO,LTD



## 20 mm x 52 mm x 28 mm INA ZKLN2052-2Z Ball Thrust Bearings

Bearing No. ZKLN2052-2Z

ZKLN2052-2Z Bearing 2D drawings and 3D CAD models

Size	20x52x28 mm
Bore Diameter	20 mm
Outer Diameter	52 mm
Width	28 mm
d	20 mm
D	52 mm
B	28 mm
C	28 mm
Angle (?)	60 °
d1	34,5 mm
r min.	0,3 mm
r1 min.	0,6 mm
Weight	0,31 Kg
Basic dynamic load rating (C)	26 kN
Basic static load rating (C0)	47 kN
Category	Angular Contact Ball Bearings
Inventory	0.0
Manufacturer Name	SCHAEFFLER GROUP
Minimum Buy Quantity	N/A
Weight / Kilogram	0.371
EAN	4012802430370
Product Group	B00152
Enclosure	2 Metal Shields
Flush Ground	No



## Nice Ball Bearings CO,LTD

Rolling Element	Ball Bearing
Number of Rows of Balls	Double Row
Precision Class	ABEC 1   ISO P0
Maximum Capacity / Filling Slot	No
Snap Ring	No
Cage Material	Plastic
Contact Angle	60 Degree
Internal Clearance	C0-Medium
Number of Bearings	1 (Single)
Inch - Metric	Metric
Long Description	20MM Bore; 52MM Outside Diameter; 28MM Width; 2 Metal Shields; No Flush Ground; Ball Bearing; Double Row of Balls; ABEC 1   ISO P0; No Filling Slot; No Snap Ring; C0-Medium; Plastic Cage; 60 Degree; 1
Other Features	With Fixing Holes
Category	Angular Contact Ball Bearing
UNSPSC	31171531
Harmonized Tariff Code	8482.10.50.28
Noun	Bearing
Keyword String	Angular Contact
Manufacturer URL	<a href="http://www.ina.com">http://www.ina.com</a>
Weight / LBS	0.68343
Bore	0.787 Inch   20 Millimeter
Width	1.102 Inch   28 Millimeter
Outside Diameter	2.047 Inch   52 Millimeter