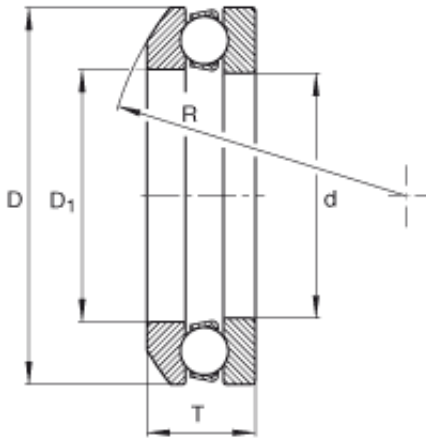




Nice Ball Bearings CO,LTD



4109 Bearing 2D drawings and 3D CAD models

INA 4109 Ball Thrust Bearings

Bearing No. 4109

Size	45x73x25 mm
Bore Diameter	45 mm
Outer Diameter	73 mm
Width	25 mm
d	1,772 inch
d	45 mm
D	2,874 inch
D	73 mm
T	0,984 inch
T	25 mm
D ₁	1,85 inch
R	60 mm
m	0,9 lbs / Weight
m	0,408 kg / Weight
C _a	10680 lbf / Dynamic load rating (axial)
C _a	47500 N / Dynamic load rating (axial)
C _{0a}	23400 lbf / Static load rating (axial)
C _{0a}	104000 N / Static load rating (axial)
Category	Thrust Ball Bearing
Inventory	0.0
Manufacturer Name	SCHAEFFLER GROUP
Minimum Buy Quantity	N/A
Weight / Kilogram	0.41



Nice Ball Bearings CO,LTD

Product Group	B00308
Rolling Element	Ball Bearing
Thrust Bearing	Yes
Single or Double Direction	Single Direction
Banded	No
Cage Material	Steel
Precision Class	ABEC 1 ISO P0
Component Description	Roller Assembly Plus Raceways
Optional Components	Order 4109AW Aligning Washer Separately
Other Features	Single Row Deep Groove Medium Cross Section Grooved Race Separable
Long Description	45MM Bore 1; 46.99MM Bore 2; 73MM Outside Diameter; 25MM Height; Ball Bearing; Single Direction; Not Banded; Steel Cage; ABEC 1 ISO P0 Precision
Inch - Metric	Metric
Category	Thrust Ball Bearings
UNSPSC	31171507
Harmonized Tariff Code	8482.10.50.08
Noun	Bearing
Keyword String	Ball Thrust
Manufacturer URL	http://www.ina.com
Manufacturer Item Number	4109
Weight / LBS	0.9
Overall Height with Aligning Washer	0 Inch 0 Millimeter
Outside Diameter	2.874 Inch 73 Millimeter
Bore 1	1.772 Inch 45 Millimeter
Bore 2	1.85 Inch 46.99 Millimeter
Height	0.984 Inch 25 Millimeter



Nice Ball Bearings CO,LTD