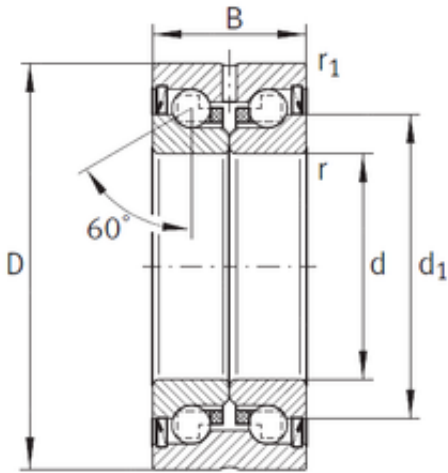




# Nice Ball Bearings CO,LTD



## 10 mm x 34 mm x 20 mm INA ZKLN1034-2RS Ball Thrust Bearings

Bearing No. ZKLN1034-2RS

ZKLN1034-2RS Bearing 2D drawings and 3D CAD models

Size	10x34x20 mm
Bore Diameter	10 mm
Outer Diameter	34 mm
Width	20 mm
d	10 mm
D	34 mm
B	20 mm
C	20 mm
Angle (?)	60 °
d1	21 mm
r min.	0,3 mm
r1 min.	0,6 mm
Weight	0,1 Kg
Basic dynamic load rating (C)	13,4 kN
Basic static load rating (C0)	18,8 kN
Category	Angular Contact Ball Bearings
Inventory	0.0
Manufacturer Name	SCHAEFFLER GROUP
Minimum Buy Quantity	N/A
Weight / Kilogram	0.12
EAN	4012802078923
Product Group	B00308
Enclosure	2 Seals
Flush Ground	No



## Nice Ball Bearings CO,LTD

Rolling Element	Ball Bearing
Number of Rows of Balls	Double Row
Precision Class	ABEC 1   ISO P0
Maximum Capacity / Filling Slot	No
Snap Ring	No
Cage Material	Plastic
Contact Angle	60 Degree
Internal Clearance	C0-Medium
Number of Bearings	1 (Single)
Inch - Metric	Metric
Long Description	10MM Bore; 34MM Outside Diameter; 20MM Width; 2 Seals; No Flush Ground; Ball Bearing; Double Row of Balls; ABEC 1   ISO P0; No Filling Slot; No Snap Ring; C0-Medium; Plastic Cage; 60 Degree; 1 (Single)
Other Features	With Fixing Holes
Category	Angular Contact Ball Bearing
UNSPSC	31171531
Harmonized Tariff Code	8482.10.50.28
Noun	Bearing
Keyword String	Angular Contact
Manufacturer URL	<a href="http://www.ina.com">http://www.ina.com</a>
Weight / LBS	0.22046
Bore	0.394 Inch   10 Millimeter
Width	0.787 Inch   20 Millimeter
Outside Diameter	1.339 Inch   34 Millimeter